



## ADC ADView 2 Modular Diagnostic Station

Thank you for choosing the ADC® ADView® 2 Modular Diagnostic Station.

We're proud of the care and quality that goes into the manufacture of each and every item that bears our name. Only the finest materials are used, ensuring yours is a timeless instrument designed for optimum performance.

Your ADView 2 comes ready to use. The battery and any optional modules purchased were installed prior to shipping. This guide provides installation instructions should the battery need to be replaced, or if you purchase additional modules in the future.

You'll also find details regarding basic operation and how to set up connections (e.g., power cord, USB cables). For information not included here, please see the ADView 2 Quick Reference Guide or the ADView 2 User Manual.

These and other documents are available online at:  
[www.adctoday.com/adview2](http://www.adctoday.com/adview2)



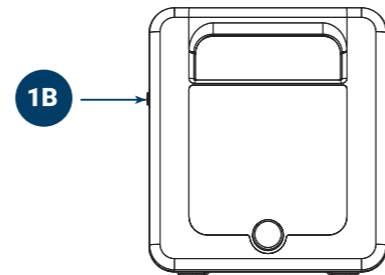
# ADView 2

Modular Diagnostic Station

## Quickstart Guide Setup and Installation

# 1

## Operation



### Turning Device On

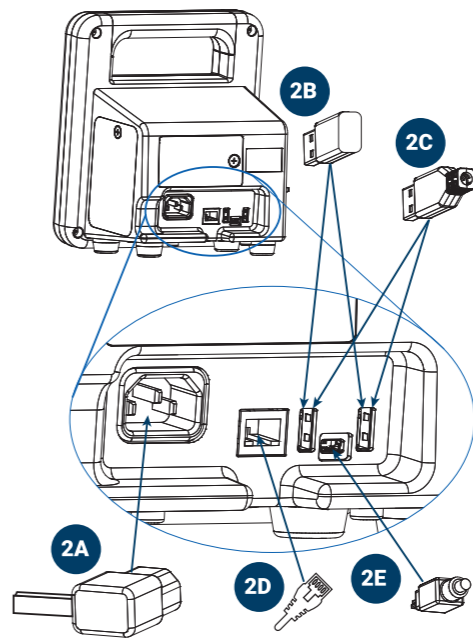
- 1A. Connect AC power cord (see step 2A)
- 1B. Press power button  
(do not hold down for more than 5 seconds)
- 1C. Set the time and date

### To Access Advanced Configuration Settings

- 1D. Connect device to PC, laptop, or tablet using mini USB (see step 2E)
- 1E. Open browser, enter device address  
(<https://model260.local>)
- 1F. Enter default password when prompted. Default passwords are:  
"service" for full access to configure the device  
"medical" for access to patient measurements
- 1G. When prompted, enter a new password

# 2

## Connections

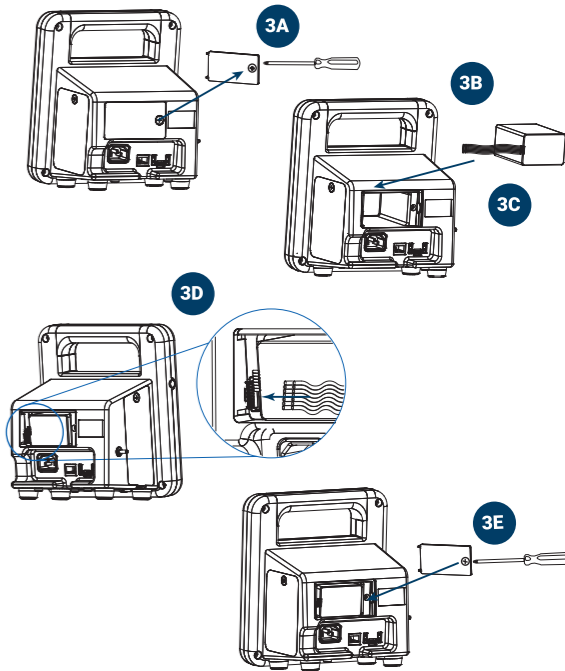


### Rear Connections

- 2A. Left-hand AC power cord
- 2B. Wi-Fi USB dongle (optional)
- 2C. Printer or barcode scanner USB cable (optional)
- 2D. Ethernet cable (cable not included)
- 2E. Mini USB cable to connect to PC, laptop, or tablet

# 3

## Battery



### Replacing the Battery

- 3A. Loosen screw and remove battery door
- 3B. Unplug battery cable and remove old battery
- 3C. Insert the new battery with cable facing out
- 3D. Plug end of the new battery cable into connector
- 3E. Replace battery door and tighten screw

**American Diagnostic Corporation**  
 55 Commerce Drive  
 Hauppauge, NY 11788

Made in China  
 Inspected, Assembled, and  
 Packaged in the U.S.A.

tel: 631-273-9600  
 toll free: 1-800-232-2670  
 fax: 631-273-9659

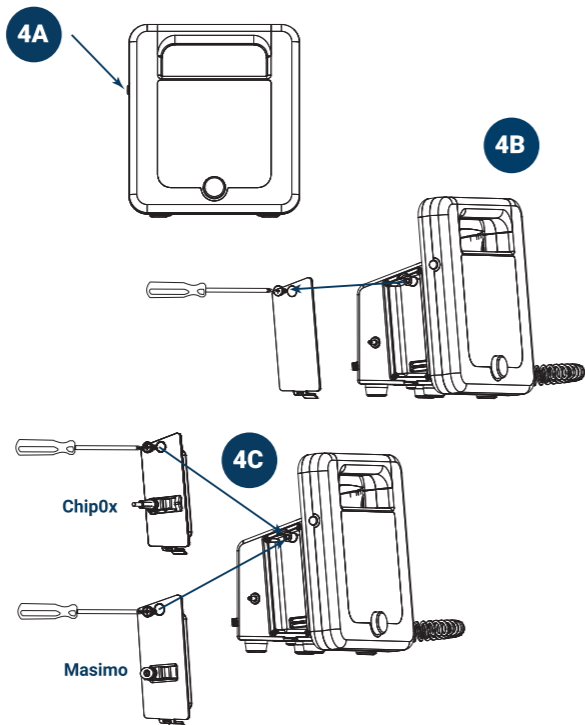
[www.adctoday.com/adview2](http://www.adctoday.com/adview2)  
[info@adctoday.com](mailto:info@adctoday.com)

Components made for  
 ADC by:  
**SunTech Medical, Inc.**  
 507 Airport Boulevard  
 Suite 117  
 Morrisville, NC 27560-8200

**EMERGO Europe**  
 Prinsessegracht 20  
 2514 AP The Hague  
 The Netherlands



# 4 SpO<sub>2</sub>

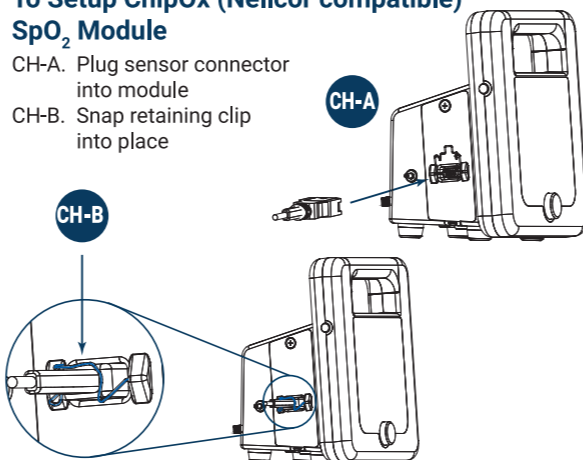


## To Install SpO<sub>2</sub> Module (ChipOx or Masimo)

- 4A. Ensure that the base unit is turned off
- 4B. Loosen screw on protective cover and remove protective cover
- 4C. Insert module and tighten screw

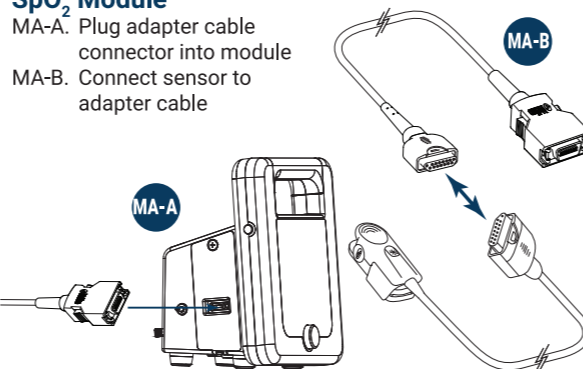
## To Setup ChipOx (Nellcor compatible) SpO<sub>2</sub> Module

- CH-A. Plug sensor connector into module
- CH-B. Snap retaining clip into place

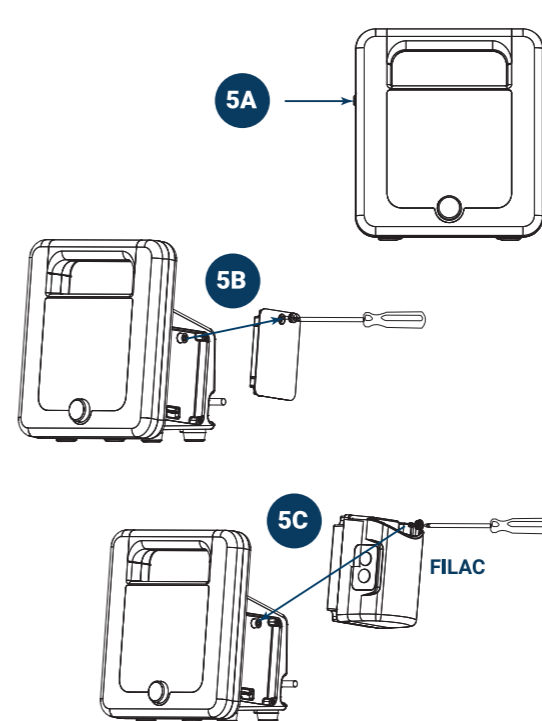


## To Setup Masimo SpO<sub>2</sub> Module

- MA-A. Plug adapter cable connector into module
- MA-B. Connect sensor to adapter cable

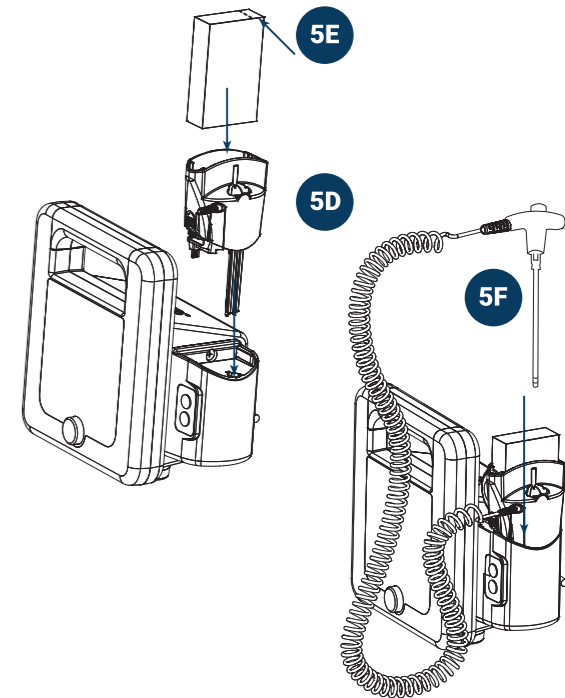


# 5 Temperature



## To Install Temperature Module

- 5A. Ensure that the base unit is turned off
- 5B. Loosen screw on protective cover and remove protective cover
- 5C. Insert module and tighten screw



## To Setup Covidien FILAC 3000 Temperature Well and Probe

- 5D. Slide blue (oral/axillary) or red (rectal) probe chamber into module well, continue insertion until there is an audible click
- 5E. Remove perforated tab on probe cover box and slide into well
- 5F. Ensure probe is placed in probe well