

Diagnostix™ ADSTATION™ Modular Diagnostic System



ADC® Diagnostix™ Adstation™ Wallboard Installation

Your Diagnostix Adstation comes complete with assembled wallboard, mounting anchors, and wood screws for easy installation.

Positioning the Wallboard

Choose a location for the ADC Diagnostix Adstation near the examination table and an electrical outlet. See Figure 1.

We recommend a height of 67" (170 cm) from the floor to the top edge of the wallboard. For an Adstation equipped with an Advview 2 Modular Diagnostic Station, we suggest a slightly lower mounting height of 60" – 63" from the floor to top of the wallboard. This will allow better readability of the LCD from a variety of operator heights. See Figures 2-4.

Before permanently mounting any wallboard, ensure the height selected suits your practice.

Hanging a Small Wallboard

On the the selected wall, use a level to mark a horizontal line to indicate the top of your wallboard. Mark through the mounting holes the position of the screws. Remove wallboard. Using a hammer and a nail set or nail, tap a starter hole into the wall. Place the anchor over the hole and tap it into the hole until it's flush with the wall. Repeat for all screw holes.

Reposition the wallboard over the anchors and secure the wallboard by inserting screws and tightening. Be sure to double check level before installing all the mounting screws. Once the screws are secure, add the enclosed screw caps on top of each screw.

Hanging a Large Wallboard

Locate and mark studs on selected wall. Use a level to mark a horizontal line to indicate the top of your wallboard. Center the drill holes on the first stud. While holding the wallboard in the desired position, use the supplied wood screws and secure the top corners into the wall/stud, double checking that the wallboard is level. Repeat for all mounting screws. Once the screws are secure, add the enclosed screw caps on top of each screw.

Adding Extension Modules

Extension modules must be electrically joined with the transformer station before they're mounted on the wallboard. Using the enclosed module connection cable, plug one side of the connector into the transformer module socket located on the right side transformer panel behind sliding door.

Plug the opposite end of the connector into the extension module contact, located on the left side panel sliding door.

As you add additional modules, each needs to be connected in similar fashion using the additional connection cables for each module.

Tuck excess wiring into each extension to ensure a close side-by-side fit between each extension module.

CAUTION: When plugging in the connecting cable, make sure the four contacts of the socket strip are positively connected to the four contacts of the pin strip (Figure 5).

After all modules are electrically connected, carefully hang the transformer and additional modules on the wallboard mounting pins. Make sure each module locks securely in a downward position.

Figure 1: Exam Room Layout Recommendation

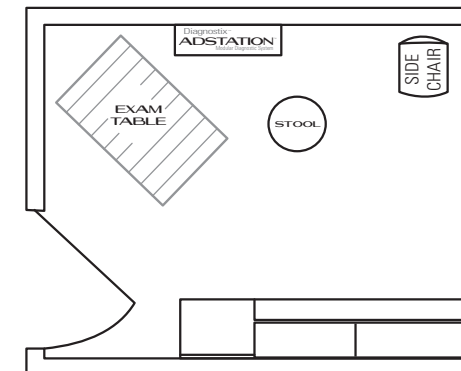


Figure 2: Large Wallboard with Clock Aneroid and e-sphyg 3

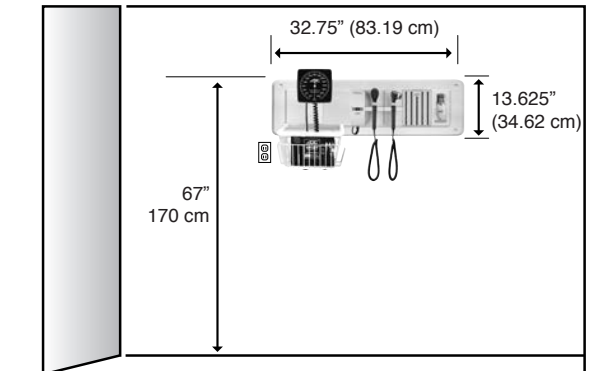


Figure 3: Small Wallboard

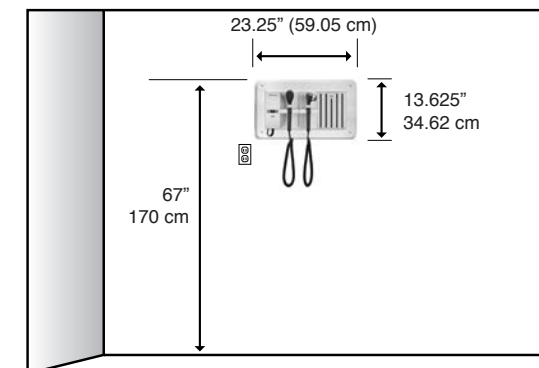


Figure 4: Large Wallboard with Advview 2

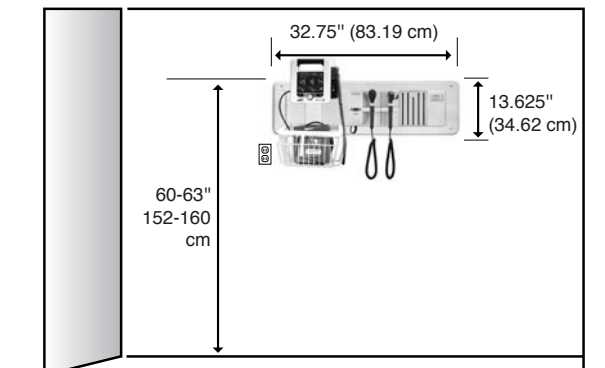


Figure 5:

