

**ADC® Diagnostix Adstation™  
 Installation Drilling Instructions**  
 (With or without extension module)

The ADC Diagnostix Adstation can be positioned on the wall with the help of this drilling template. Your Adstation comes complete with mounting screws and anchors for easy installation.

1. Choose a location for the Adstation near the examination table and an electrical outlet. See Figure 1.
2. Tape the drilling plan to the wall where needed. With a pencil, mark holes on the wall for the transformer/handle unit (labeled ⊕A, B, C).
3. Holes for up to two additional extension modules (labeled ⊕D, E and ⊕F, G, H) are also shown. Mark the corresponding holes for each extension module being added.
4. After marking, remove the template from the wall. Using a 7/32" bit, drill all holes, about 1 1/4" deep. Push the supplied anchors into the holes until flush with outer wall.

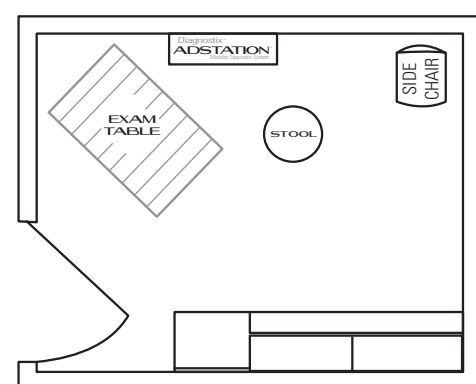


Figure 1

5. Position each wall plate over its anchors. Insert screws into each hole and turn until tight.
6. Install the transformer onto the wall plate by sliding it over the screws and pushing down until it locks into place.
7. **To install module(s)** begin by joining the connection cable from the first module with the transformer.
  - a. Plug one end of the cable into the socket on the transformer module (located on the right side of the transformer panel, behind the sliding door).
  - b. Plug the opposite end of the cable into the extension module contact (located on the left side of the module panel, behind the sliding door).
8. Install the module onto the wall plate by sliding it over the screws and pushing it down until it locks into place. Tuck excess wiring into each extension while mounting to ensure a close fit between instruments.

**CAUTION:** When plugging in connection cables, make sure the four contacts of the socket strip align exactly with the four contacts of the pin strip. See Figure 2.

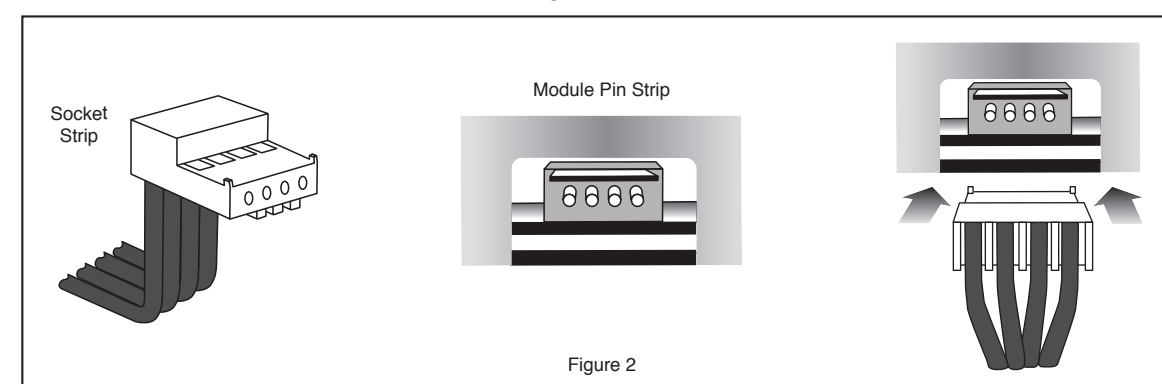


Figure 2

9. Repeat steps 7 and 8 as needed for additional instruments, connecting the cables between the left and right sides of the modules.

**If adding a specula dispenser:**

1. Cut out dispenser portion of the template and tape to the wall in line with main unit, on the left or right side, as desired. With a pencil, mark holes on the wall where indicated on the template, then remove template from the wall.
2. Using a 7/32" bit, drill the two holes where marked, about 1 1/4" deep. Push the supplied screw anchors into the holes until flush against the wall.
3. Take the dispenser portion of the unit (Figure 3) and check to ensure the spacer caps are in place on the back. Push the two supplied screws into the holes on the front of the unit and position it in on the wall in line with the anchors. Screw snugly into place.
4. Next attach the faceplate (Figure 4). To do so, align the four guides tracks on the sides of the faceplate with the corresponding grooves on the dispenser. Push firmly until the faceplate clicks into place.

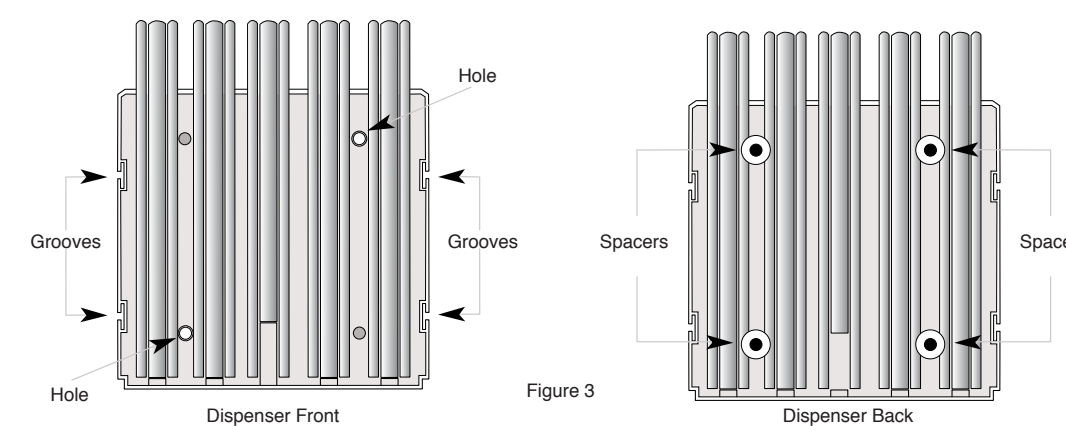


Figure 3

5. To attach the lid (Figure 5), align the lid tabs with the corresponding holes on the faceplate until the lid rests in position.

6. Fill the dispenser as needed.

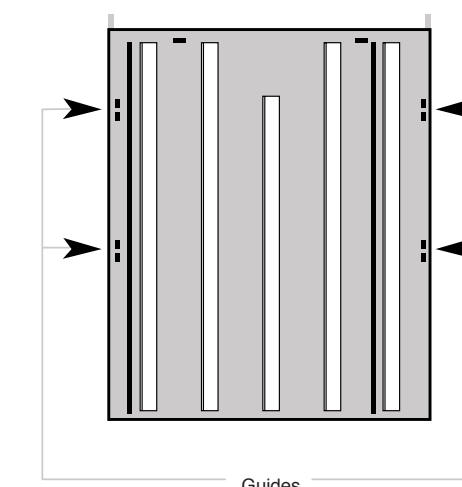


Figure 4

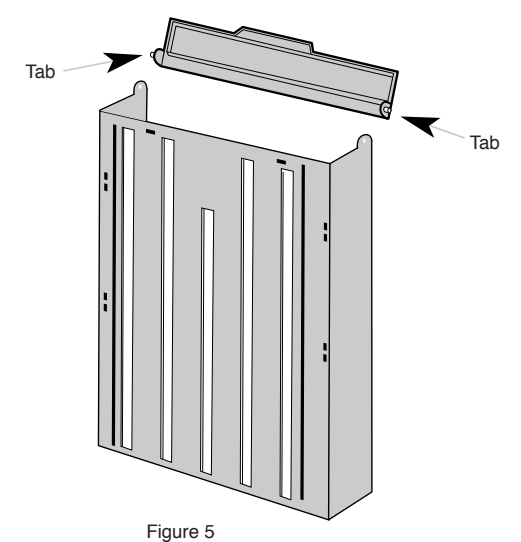


Figure 5