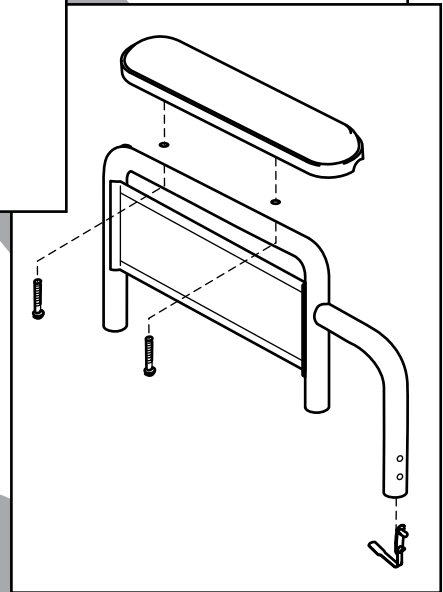
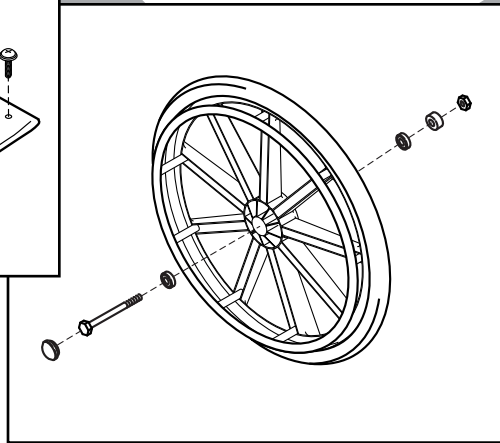
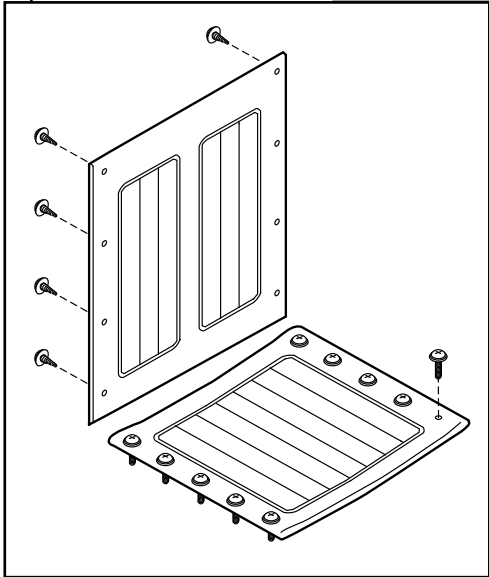


Traveler[®] HD

PARTS CATALOG



CONTENTS

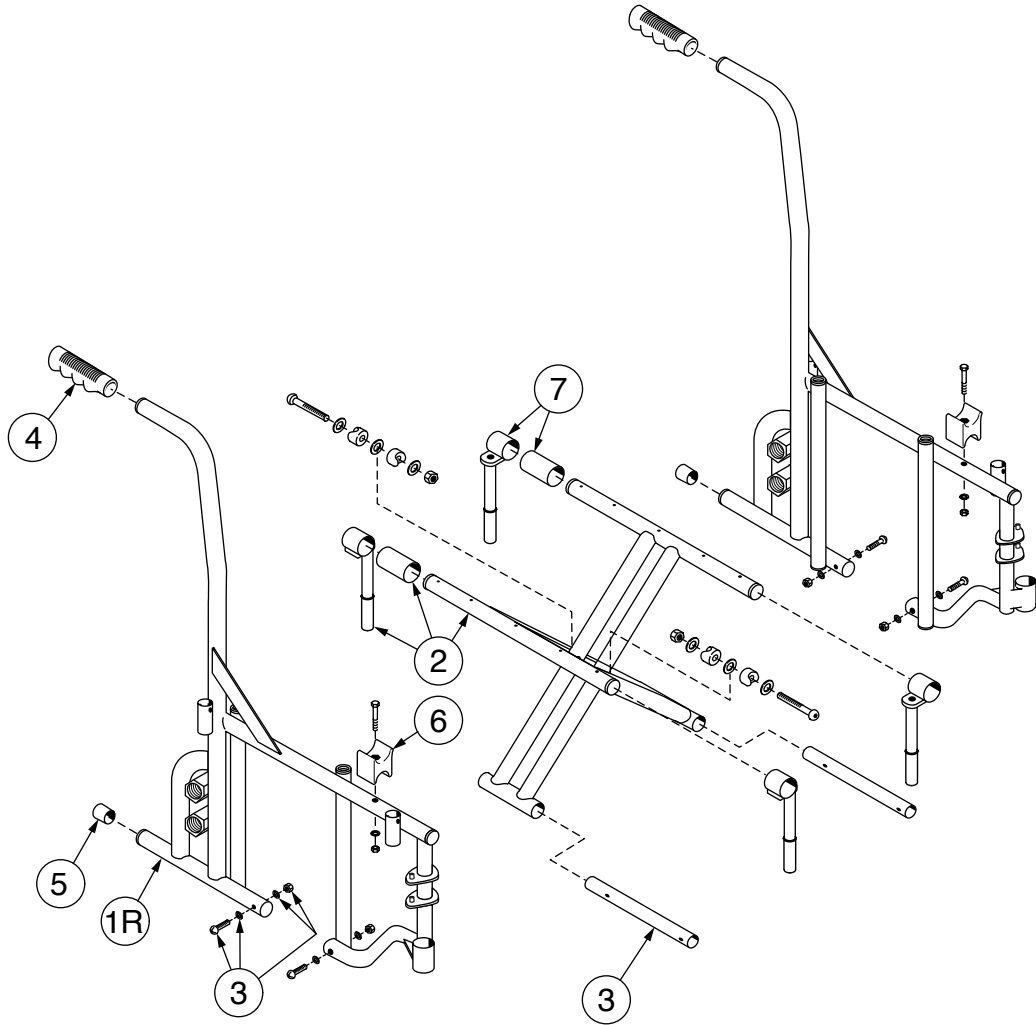
SIDEFAME AND CROSSBRACE	3
ARM, DETACHABLE	4
UPHOLSTERY	4
REAR WHEEL	5
CASTER.....	5
FRONT RIGGING, DETACHABLE	6
ACCESSORIES	7

TO ORDER

Tel: 1.770.368.4700 • Fax: 1.770.368.2386

Returns: Parts may not be returned without prior authorization from GF Health Products, Inc. Custom parts cannot be returned for credit. Please refer to GF Health Products, Inc. [Terms and Conditions](#) for further information.

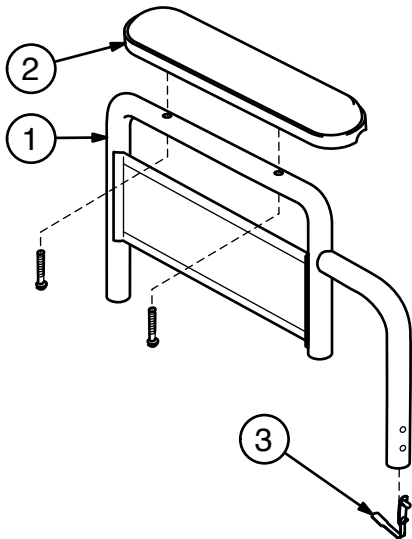
SIDEFRADE AND CROSSBRACE



- 1 Sideframe, all widths**
 Right 90763401
 Left 90763402
- 2 Crossbrace, pair**
 Includes slides, center bolt and nut
- 20" W 907634C1
 22" W 907634C2
 24" W 907634C3
- 3 Bottom inner rail kit**
 Includes bottom inner rail (pair),
 screw and nut that hold bottom
 inner rail (4 each), and sleeve (pair) ... 90763503

- 4 Grip (10 each) 90763005**
- 5 Tipping sleeve (10 each)..... 90763006**
- 6 Seat rail cradle, screw, washer and
 nut (pair)..... 90763403**
- 7 Seat slide and seat rail sleeve
 (2 each)..... 90763404**

ARM, DETACHABLE

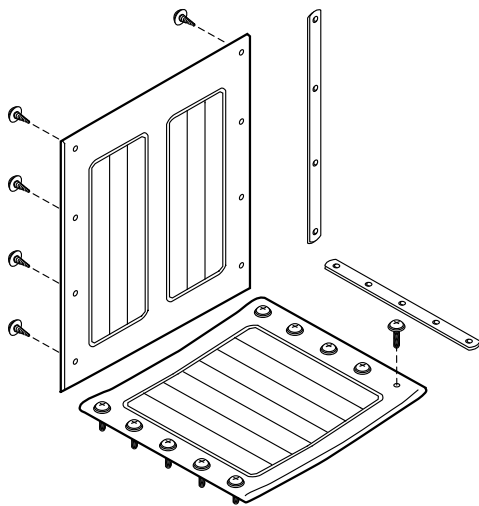


- 1 **Arm, detachable fixed-height, pair**
Includes right and left arm with side panel and spring lock (does not include arm pad)
 - Desk length..... 90763020
 - Full length..... 90763021

- 2 **Arm pad, pair**
Includes two black arm pads and mounting screws
 - Desk length..... 90763022
 - Full length..... 90763023

- 3 **Spring lock (10 each)** 90763024

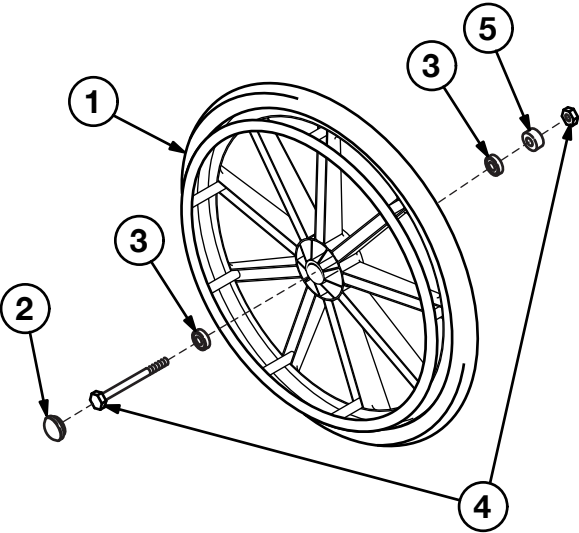
UPHOLSTERY



- Back upholstery, black leatherette, with built-in chart holder**
Includes mounting strips and screws
 - 20" W..... 907634A1
 - 22" W..... 907634A2
 - 24" W..... 907634A3

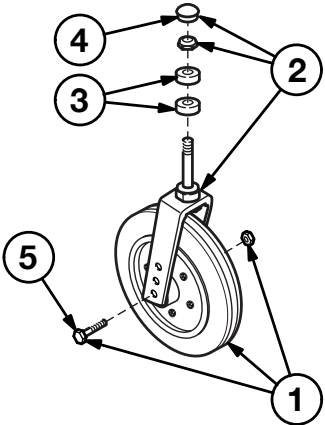
- Seat upholstery, black leatherette**
Includes mounting strips and screws
 - 20" W x 18" D..... 907634B1
 - 22" W x 18" D..... 907634B2
 - 24" W x 18" D..... 907634B3

REAR WHEEL



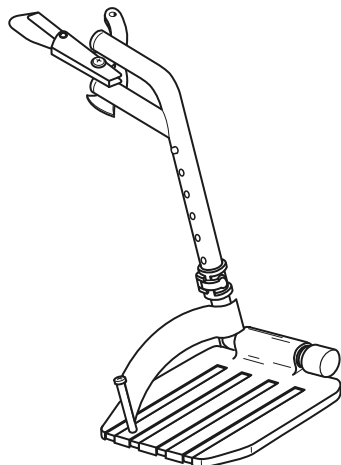
- 1 Rear wheel with handrim, 24" x 1", polyurethane tire
Includes hub cap and bearing;
does not include axle or nut..... 90763450
- 2 Hub cap (10 each)..... 90763451
- 3 Wheel bearing (10 each) 90763452
- 4 Rear axle and nut (10 each)..... 90763453
- 5 Spacer (10 each)..... 90763454

CASTER



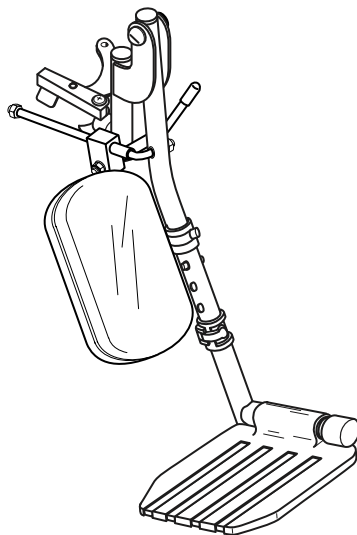
- Complete caster (fork and wheel),
8" x 2" solid urethane tire 90763440
- 1 Caster wheel, axle and nut 90763441
- 2 Caster fork, stem nut and dust cap 90763042
- 3 Caster stem bearing (10 each) 90763043
- 4 Caster dust cap (10 each)..... 90763044
- 5 Caster axle and nut (10 each)..... 90763045

FRONT RIGGING, DETACHABLE



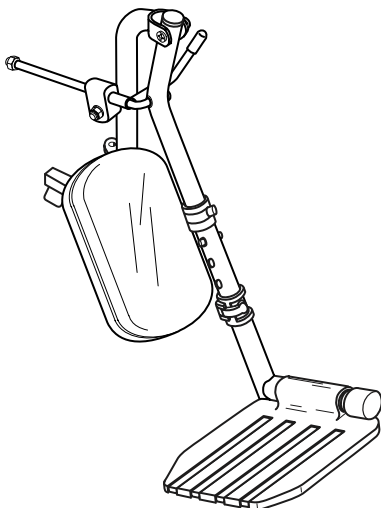
Footrest, pair, all widths
Includes right and left hanger with release
and aluminum footplate with extension
and heel loop 90763430

Aluminum footplate, pair
(Fits all front rigging) 90763433



Low-pivot elevating legrest, pair, all widths
Includes right and left hanger with release,
aluminum footplate with extension, and
legrest panel (does not include
heel loop) 90763431

Elevating legrest panel kit
(Fits all elevating legrests)
Includes 2 black padded panels
and hardware90763032



High-pivot elevating legrest, pair, all widths
Includes right and left hanger with release,
aluminum footplate with extension, and
legrest panel (does not include
heel loop)90763435

Traveler HD accessories (not shown)

1	Heel loop, pair.....	90763064
2	Wheel lock, pair	
	Includes rubber tips	
	 Push to lock.....	90763060
	 Pull to lock.....	90763061
3	Rubber tip, wheel lock (10 each).....	90763063
4	Wheel lock extension, pair	90763062
5	Positioning belt (metal buckle)	90133125
6	Anti-Fold bar	92523850
7	O2-IV holder	B10320F
8	O2 cylinder holder.....	B10325
9	Anti-Tippers (pair)	
	 20" seat height	90763065
	 18" seat height	90763066



1.770.368.4700

Information contained herein is subject to change.
The most current and complete product information can be found on our website.
www.grahamfield.com

Follow us on  

© 2009, GF Health Products, Inc. All Rights Reserved.
Everest & Jennings and Traveler are trademarks of GF Health Products, Inc.,
One Graham-Field Way, Atlanta GA 30340-3140

GF Health Products, Inc. is an ISO 13485 Certified Company.